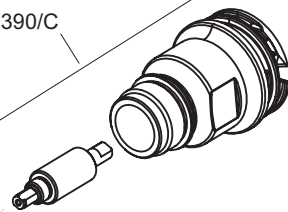


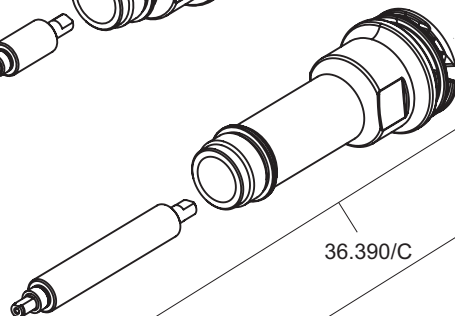
9.1396/C



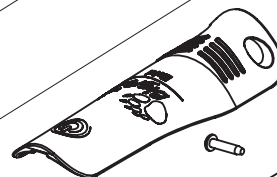
361.390/C



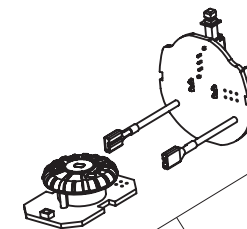
36.390/C



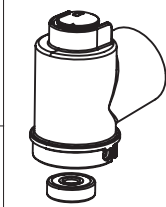
38.390/C



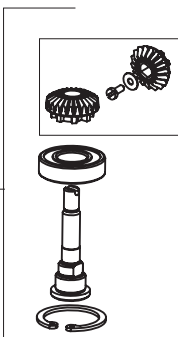
400.390/C



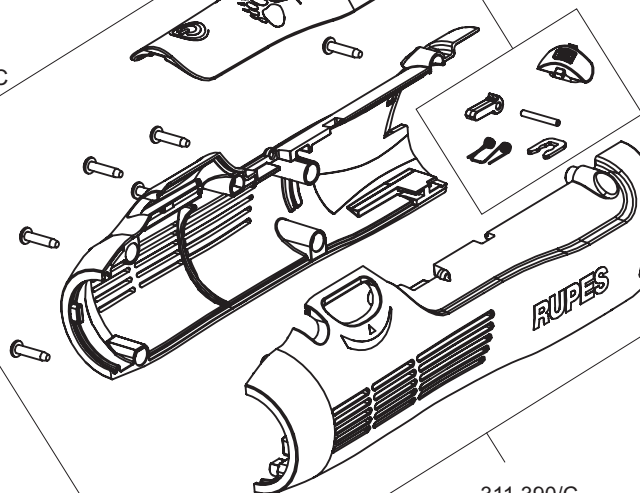
32.390/C



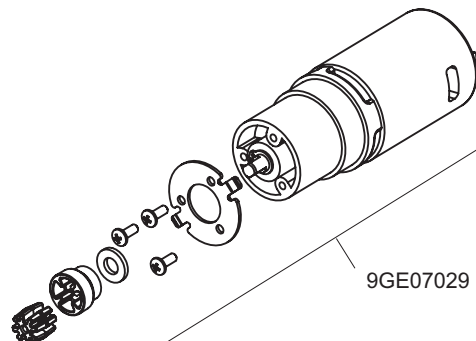
51.390/C



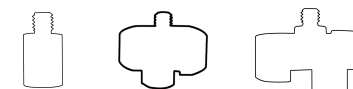
311.390/C



9GE07029



65.390



562.390 - rotary function unit (green)

581.390/C - 3mm orbital function unit (blue)

58.390/C - 12mm orbital function unit (red)

INTERACTIVE ORDERING

Make sure that you have internet access, then select your part(s) by clicking on the part number next to the part.